



ACCIAIO EM

High type of protection and high impact resistance. Housing made of galvanised sheet steel, caps made of plastic, pane made of tempered glass. Caps and pane tightly coupled with the housing. Light guidance through high-high-specular aluminium reflector. 1 or 2-sided escape route indication through exchangeable display panes. Explosion-protected for zone 2 (II 3G Ex nA IIB T4) and Zone 22 (II 3D Ex tD A22 T100).

Extremely resistant against mechanical and chemical stress.

Versions for surface wall and ceiling mounting and chain/wire, including swivelable wall holder

MOUNTING TYPES



MOUNTING TYPES WITH ACCESSORIES



TECHNICAL DATA

| | | | |
|----------------------|-----------------------------------------------------------|------------------------------------------------|----------|
| Housing: | Sheet steel, galvanized, grey (RAL 7035) | Service life $L_{80B_{20}}$: | 50.000 h |
| Caps: | Polycarbonate / polybutylenterephthalate, grey (RAL 7035) | Color stability: | 3 SDCM |
| Pane: | Tempered glass, structured | Color temperature: | 4.000 K |
| Display pane: | PMMA (display pane) Polycarbonate (foil, printed) | Color rendering index: | 80 |
| Reflector: | Aluminium, specular | | |



SELF-CONTAINED SUPPLY

| | |
|-----------------------------|-------------------------------------------------------------------------|
| Mains supply: | 198 V – 254 V/50 Hz |
| Switching: | Maintained and non-maintained or non-maintained |
| Ambient temperature: | LTO: -20 °C to +45 °C Classic: 0 °C to +40 °C LFP: 0 °C to +40 °C |
| Protection class: | I |

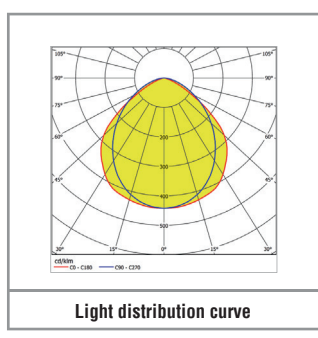
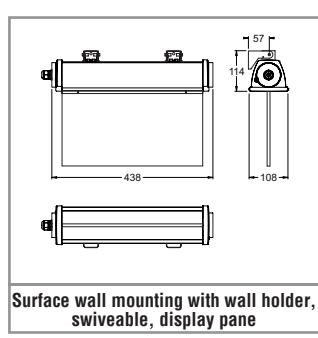
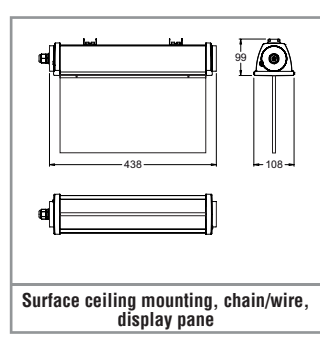
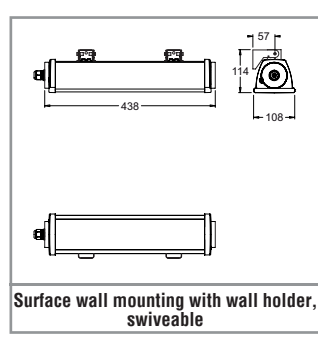
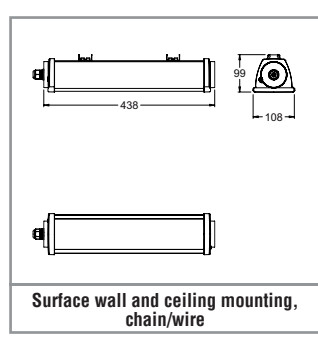
DECENTRAL SUPPLY

| | |
|-----------------------------|-----------------------------------------------------------------------------------------------------|
| Mains supply: | 24 V +/- 20 % DC |
| Battery supply: | 24 V +/- 20 % DC |
| Ambient temperature: | -20 °C to +40 °C |
| Protection class: | III with connection only to low voltage, I with additional connection to voltages above low voltage |

CENTRAL SUPPLY

| | |
|-------------------------------|--------------------------------------|
| Mains supply: | 198 V – 254 V/50 Hz |
| Battery supply: | 176 V – 276 V |
| Ambient temperature: | -20 °C to +40 °C |
| Protection class: | I |
| Mains supply (alt.): | 90 V – 254 V / 50/60 Hz ⁶ |
| Battery supply (alt.): | 90 V – 276 V ⁶ |

⁶ For order code 31054





SELF-CONTAINED SUPPLY

| Autotest Order code | Logica Order code | Logica FM Order code | | | $\Phi=$ 1 h | $\Phi=$ 3 h | $\Phi=$ 8 h | | |
|---------------------------------------------------------------------------------------------------------------------------------------------------------------|-------------------|----------------------|------|----|-------------|-------------|-------------|------------------------|---------|
| Surface wall mounting (1-sided escape route indication / illumination), surface ceiling mounting, chain/wire (2-sided escape route indication / illumination) | | | | | | | | | |
| 37090 | 37091 | 37092 | 38 m | 32 | 400 lm | 200 lm | 55 lm | 2 x LTO 7.2 V / 0.5 Ah | 4.85 VA |

LFP SELF-CONTAINED SUPPLY

| Autotest Order code | Logica Order code | Logica FM Order code | | | $\Phi=$ 1 h | $\Phi=$ 3 h | | |
|---------------------------------------------------------------------------------------------------------------------------------------------------------------|--------------------|----------------------|------|----|-------------|-------------|--------------------|--------|
| Surface wall mounting (1-sided escape route indication / illumination), surface ceiling mounting, chain/wire (2-sided escape route indication / illumination) | | | | | | | | |
| 15032 ¹ | 15032 ¹ | 15033 ¹ | 38 m | 32 | 800 lm | 270 lm | LFP 9.6 V / 1.5 Ah | 1.7 VA |

CLASSIC SELF-CONTAINED SUPPLY

| Autotest Order code | Logica Order code | Logica FM Order code | | | $\Phi=$ 1 h | $\Phi=$ 3 h | | |
|---------------------------------------------------------------------------------------------------------------------------------------------------------------|-------------------|----------------------|------|----|-------------|-------------|--------------------|-------|
| Surface wall mounting (1-sided escape route indication / illumination), surface ceiling mounting, chain/wire (2-sided escape route indication / illumination) | | | | | | | | |
| 15030 | 15030 | 15031 | 38 m | 32 | 400 lm | 200 lm | NiMH 7.2V / 1.2 Ah | 10 VA |

SICURO^{LED} DECENTRAL SUPPLY

| Sicuro24 Order code | | | $\Phi=$ | $P=$ |
|---------------------------------------------------------------------------------------------------------------------------------------------------------------|------|----|----------|-------|
| Surface wall mounting (1-sided escape route indication / illumination), surface ceiling mounting, chain/wire (2-sided escape route indication / illumination) | | | | |
| 32055 | 38 m | 32 | 510 lm | 4.3 W |
| 32092 ² | 38 m | 32 | 900 lm | 8 W |
| | | | 1.800 lm | 16 W |

SICURO^{LED} CENTRAL SUPPLY

| Sicuro230 Order code | | | $\Phi=$ | $S\sim$ | $P=$ |
|--------------------------------------------------------------------------------------------------------------------------------------------------------------------------------------------------------|------|----|----------|------------------|------|
| Surface wall mounting (1-sided escape route indication / illumination), surface ceiling mounting, chain/wire (2-sided escape route indication / illumination) with luminaire monitoring (EÜ) | | | | | |
| 31054 | 38 m | 32 | 510 lm | 9.4 VA / 4.7 W | |
| 31053 ³ | 38 m | 32 | 1.800 lm | 19.6 VA / 14.8 W | |
| Surface wall mounting (1-sided escape route indication / illumination), surface ceiling mounting, chain/wire (2-sided escape route indication / illumination) with circuit monitoring (SÜ) | | | | | |
| 17452 ⁴ | 38 m | 32 | 1.800 lm | 17.4 VA / 14.2 W | |

¹ With inverter module 19355, only for non-maintained mode.

² With S24 inverter module G31446, only for non-maintained mode, light flux/power programmable over S24 station. Luminaire only suitable for illumination.

³ With S230 inverter module 17381 (in LED driver function).

⁴ With LED driver.

⁵ 1 piece per luminaire required.

| Please order escape sign accessories separately | |
|-------------------------------------------------|----------------------------------|
| Order code | Description |
| 19064 | Set of escape sign display panes |

| Included in scope of delivery | |
|-------------------------------|-------------------------------|
| Order code | Description |
| 20122 ⁵ | Wall holder, swiveable (+45°) |